

The
Secure Data
Solution[®]

U.S. Patent 7,293,179; European Patent 1669872;
and Others Pending

Midrange
Systems

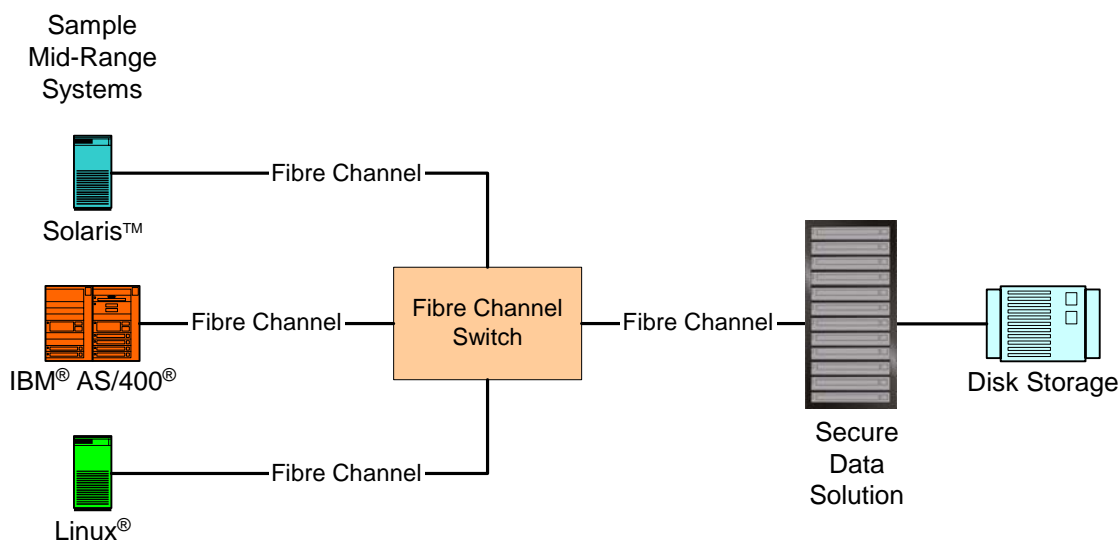
Secure Data Solution[®] for Midrange Systems

Overview & Benefits

The Secure Data Solution[®] (SDS) is an enterprise data backup and recovery suite that assures your company's critical backup data sets are automatically protected, moved offsite, and archived at a remote location. As the word "enterprise" implies, it works with virtually any platform in your data center. This overview is intended to describe how the SDS is used to back up and subsequently recover data for midrange systems.

The process of writing sensitive data to physical tapes, often times directly attached to individual midrange servers, is widely accepted. The process is also coming under increasing scrutiny as both the efficiency and the security of such practices are widely questioned.

One of the major benefits of the Secure Data Solution (SDS) for midrange systems is that it consolidates the media for the backup and makes its management and protection possible. It does this by connecting to a series of midrange servers by either fibre channel or SCSI. Once connected, the SDS emulates one or more SCSI-attached tape drives for each midrange server. The backups are then accomplished in the normal fashion using your existing backup and archival software.



The Secure Data Solution is a totally outboard system that replaces tape drives and does not require the installation of agents on the midrange server. Because there are no agents on the server, the solution integrates seamlessly with most of the midrange backup software in use today, including Tivoli Storage Manager, Net Backup, Veritas, etc. Likewise, it has the flexibility to replace locally attached tape drives including Fibre Channel/SCSI-attached 3590- and LTO- series tape drives.

Once a backup has been completed, and the appropriate data is resident on the Secure Data Solution, the stored data is compressed and encrypted so that it can be moved to one or more remote locations. The compressed data can be moved over a fiber channel network or over an Ethernet network using standard TCP/IP.

At the remote location(s), the data is likewise stored on disk as virtual tape images. Each data set is stored in two separate disk areas at each location—one each on mirrored disks at the originating site, and one each on mirrored disks at each of the remote location. This configuration assures that the data is always available at all locations, and can be restored at any location should the need arise.

The Secure Data Solution approach for data backup and recovery offers the following immediate benefits:

- Increases probability of successful rapid recovery
- Decreases reliance on scarce DR resources
- Reduces or eliminates the cost of physical tape cartridges
- Reduces backup window due to increased speed of disc storage
- Reduces tape handling and associated costs
- Reduces the possibility of lost tapes
- Provides a homogeneous method of managing backups
- Provides ultra-high availability, real-time data backup
- Reduces or eliminates the cost of physical tape transport
- Utilizes low-cost TCP/IP for data transport
- Utilizes high availability redundant disks

It also provides an array of unique security benefits that protects your sensitive data and ensures compliance with a growing host of federal regulations relating to data security.

- Provides Role-Based Access Controls to protect various types of data
- Provides a non-intrusive, patented key management strategy
- Includes an integrated alert manager to ensure the integrity of each backup
- Provides three levels of data protection: encryption, geographic dispersion, and mirroring

The Secure Data Solution is protected by issued and pending US and European Patents.

About SecureAgent Software

SecureAgent Software has been helping customers manage sensitive data for more than 20 years. Many of the largest companies across the United States and throughout Europe use SecureAgent products in mission-critical areas of their daily operations. SecureAgent products play an integral role in secure remote console access, data backup and recovery, advanced automation, integrated tape management, and disaster recovery.

SecureAgent Software is a pioneer in the implementation of role-based access controls, and both commercial customers and the governmental sector use its products extensively to comply with evolving regulatory demands.

Among the companies using SecureAgent Software are three of the four largest US banks, the two largest credit card processing companies, the nation's two largest communications companies, the world's largest stock exchange, the largest US airline, and the largest airline reservations companies in the US and Europe.

For additional information, please contact:

SecureAgent Software
2448 East 81st Street, Suite 2000
Tulsa, OK 74137-4271
Voice: 918-971-1600
Fax: 918-971-1623
Toll-free: 888-746-7735
www.SecureAgent.com

© 2009 by SecureAgent Software. All rights reserved. Secure Data Solution is a registered trademark of SecureAgent Software. The Secure Data Solution is protected by United States Patent 7,293,179; European Patent 1669872; and by others pending.

Linux is a registered trademark of Linus Torvalds in the United States and other countries. UNIX is a registered trademark of The Open Group. IBM and AS/400 are registered trademarks of International Business Machines Corporation in the United States, other countries, or both. Solaris is a trademark of Sun Microsystems.